

The information in this document is subject to change without notice and should not be construed as a commitment by ABB. ABB assumes no responsibility for any errors that may appear in this document.

Except as may be expressly stated anywhere in this document, nothing herein shall be construed as any kind of guarantee or warranty by ABB for losses, damages to persons or property, fitness for a specific purpose or the like.

In no event shall ABB be liable for incidental or consequential damages arising from use of this document.

This document and parts thereof must not be reproduced or copied without ABB's written permission, and contents thereof must not be imparted to a third party nor be used for any unauthorized purpose. Contravention will be prosecuted.

Additional copies of this document may be obtained from ABB at its then current charge.

© Copyright 2024 ABB ALL right reserved.

ABB

SE-721 68 Västerås
Sweden

Latest revision:
ECO 500000131855
Pages 30,40,50 Fan connection correction

Prepared by, date: J. Pokorná, 240605

Approved by, date: M. Lövmemark, 240605



Lab/Office:
RA/RDP

IRB 7710/7720
COPYRIGHT page

Status:

Plant: = IRB77XX
Location: +
Sublocation: +

Document no.

3HAC089629-001

Rev. Ind

01

Page 1

Next 2

Total 13

We reserve all rights in this document and in the information contained therein. Reproduction, use or disclosure to third parties without express authority is strictly forbidden. © Copyright ABB

Valid For:

This circuit diagram is valid for the following cable harness assemblies:

3HAC084561-001: Manipulator harness axis 1-6

3HAC072848-001: Brake release unit

3HAC043904-001: SMB unit

3HAC15619-1: Cable, FB7-SMB 1.7

3HAC044075-001: Battery unit

3HAC073539-001: Cable, battery-SMB

Latest revision:
ECO 500000131855
Pages 30,40,50 Fan connection correction



Lab/Office:
RA/RDP

IRB 7710/7720

Valid For

Status:

Plant: = IRB77XX

Location: +

Sublocation: +

Document no.

3HAC089629-001

Rev. Ind

01

Page 3

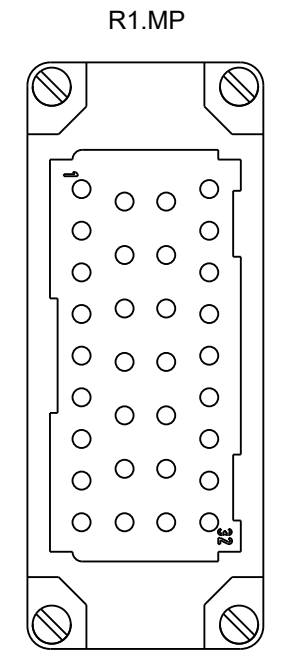
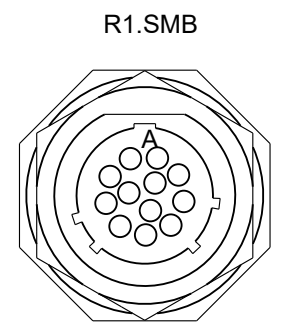
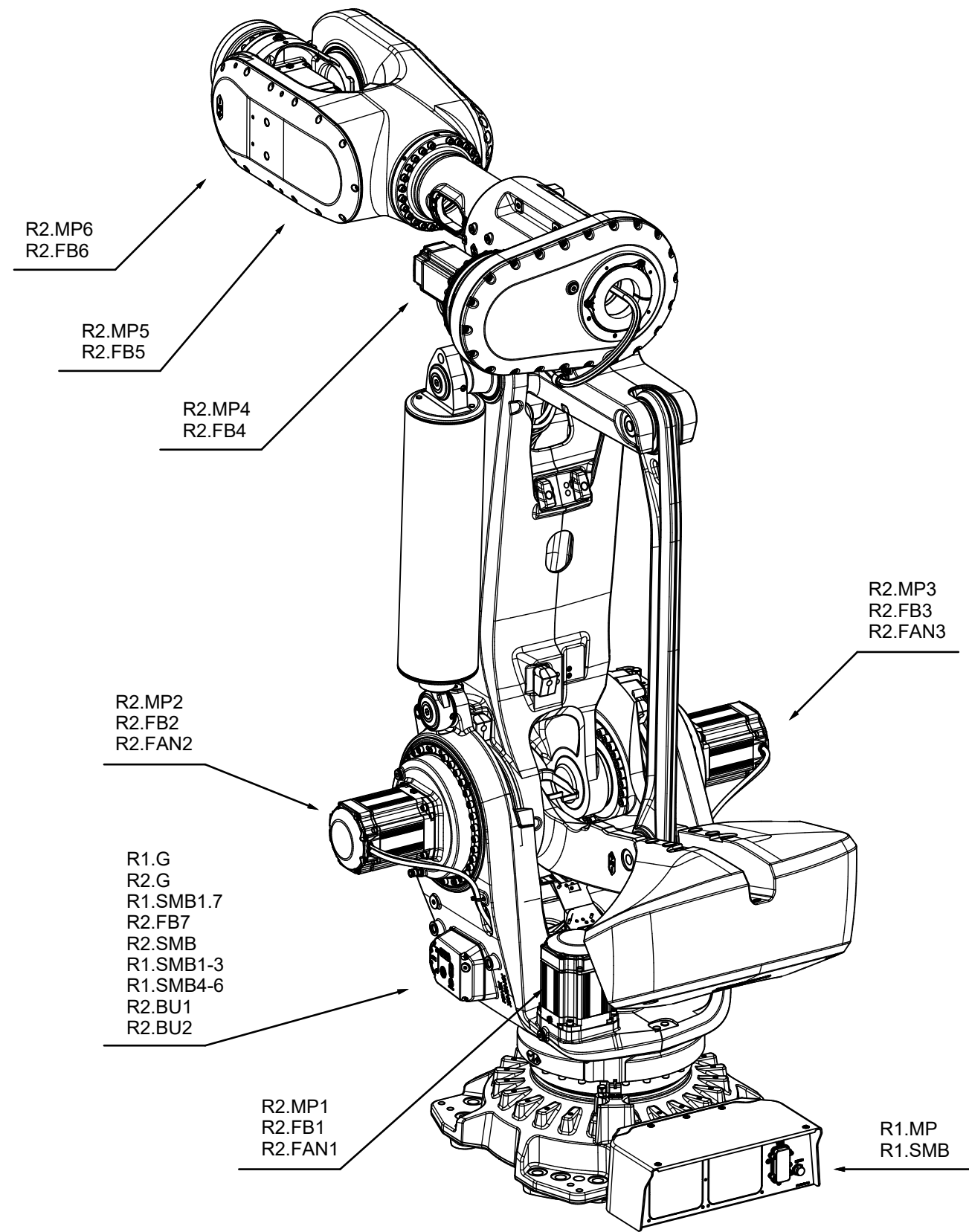
Next 6

Total 13

Prepared by, date: J. Pokorná, 240605

Approved by, date: M. Lövmemark, 240605

We reserve all rights in this document and in the information contained therein. Reproduction, use or disclosure to third parties without express authority is strictly forbidden. © Copyright ABB



IRB 7710/7720

Latest revision:
ECO 500000131855
Pages 30,40,50 Fan connection correction

Prepared by, date: J. Pokorná, 240605

Approved by, date: M. Lövmemark, 240605



Lab/Office:
RA/RDP

IRB 7710/7720
Location of connection points

Status:


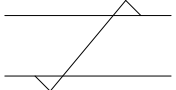
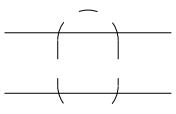
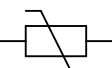
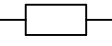
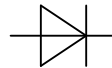
Plant: = IRB77XX
Location: +
Sublocation: +

Document no.
3HAC089629-001

Rev. Ind
01

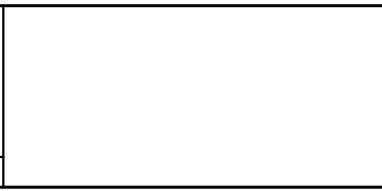
Page	6
Next	7
Total	13

We reserve all rights in this document and in the information contained therein. Reproduction, use or disclosure to third parties without express authority is strictly forbidden. © Copyright ABB

1	2	3	4	5	6	7	8
M	Motor				Protective Earth		
B	Brake						
PTC	Temp sensor (PTC- resistor)				Twisted wires		
R	Resolver						
G	Battery Pack				Screened wires		
BU	Brake Release Unit				Varistor		
FB	Feedback unit				Resistor		
SMB	Serial Measurement Board						
FAN	Fan				Diode		
SW	Position switch						
Keypin	Location pin to avoid mismatch						

Latest revision:
 ECO 500000131855
 Pages 30,40,50 Fan connection correction

Prepared by, date: J. Pokorná, 240605 Approved by, date: M. Lövmemark, 240605

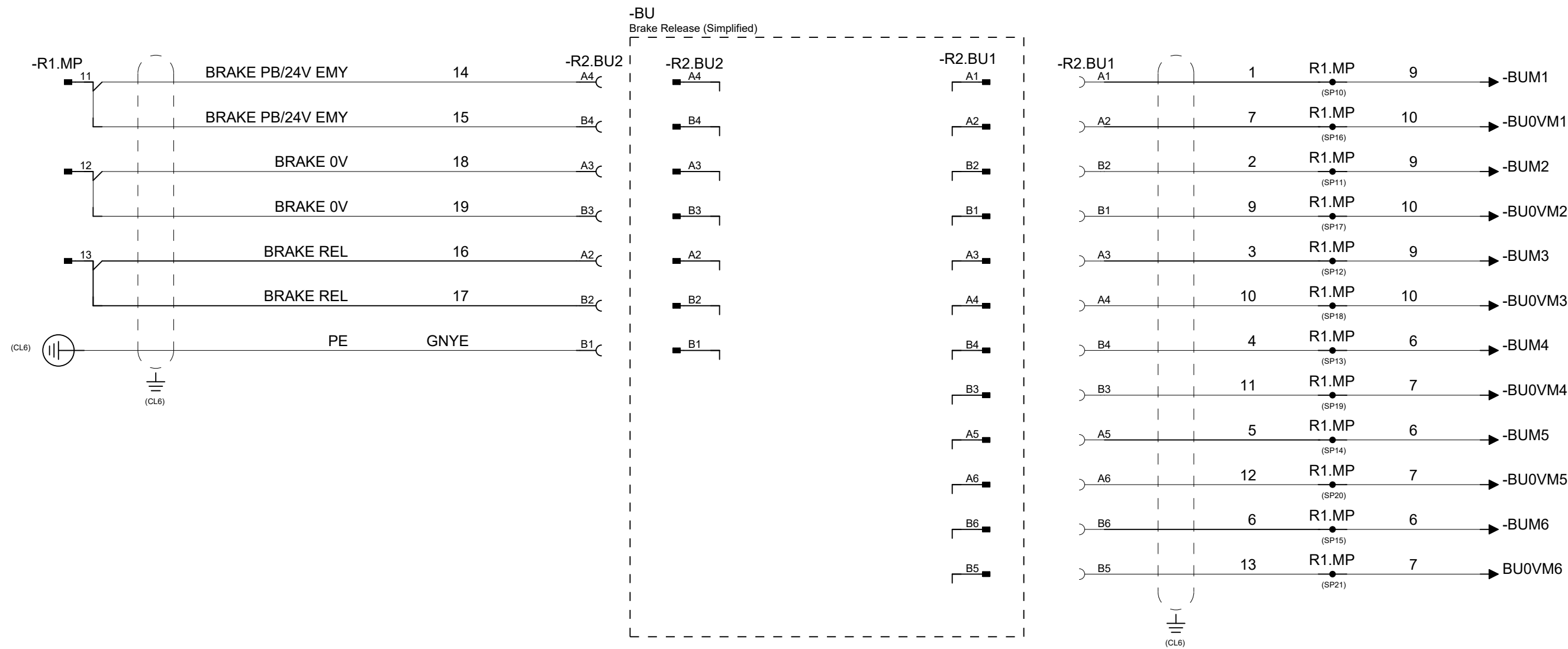


Lab/Office:
RA/RDP

IRB 7710/7720
 Legend

Status:	Plant: = IRB77XX
	Location: +
	Sublocation: +
Document no. 3HAC089629-001	Rev. Ind 01
	Page 7
	Next 10
	Total 13

We reserve all rights in this document and in the information contained therein. Reproduction, use or disclosure to third parties without express authority is strictly forbidden. © Copyright ABB



Latest revision:
ECO 500000131855
Pages 30,40,50 Fan connection correction

Prepared by, date: J. Pokorná, 240605 Approved by, date: M. Lövmemark, 240605

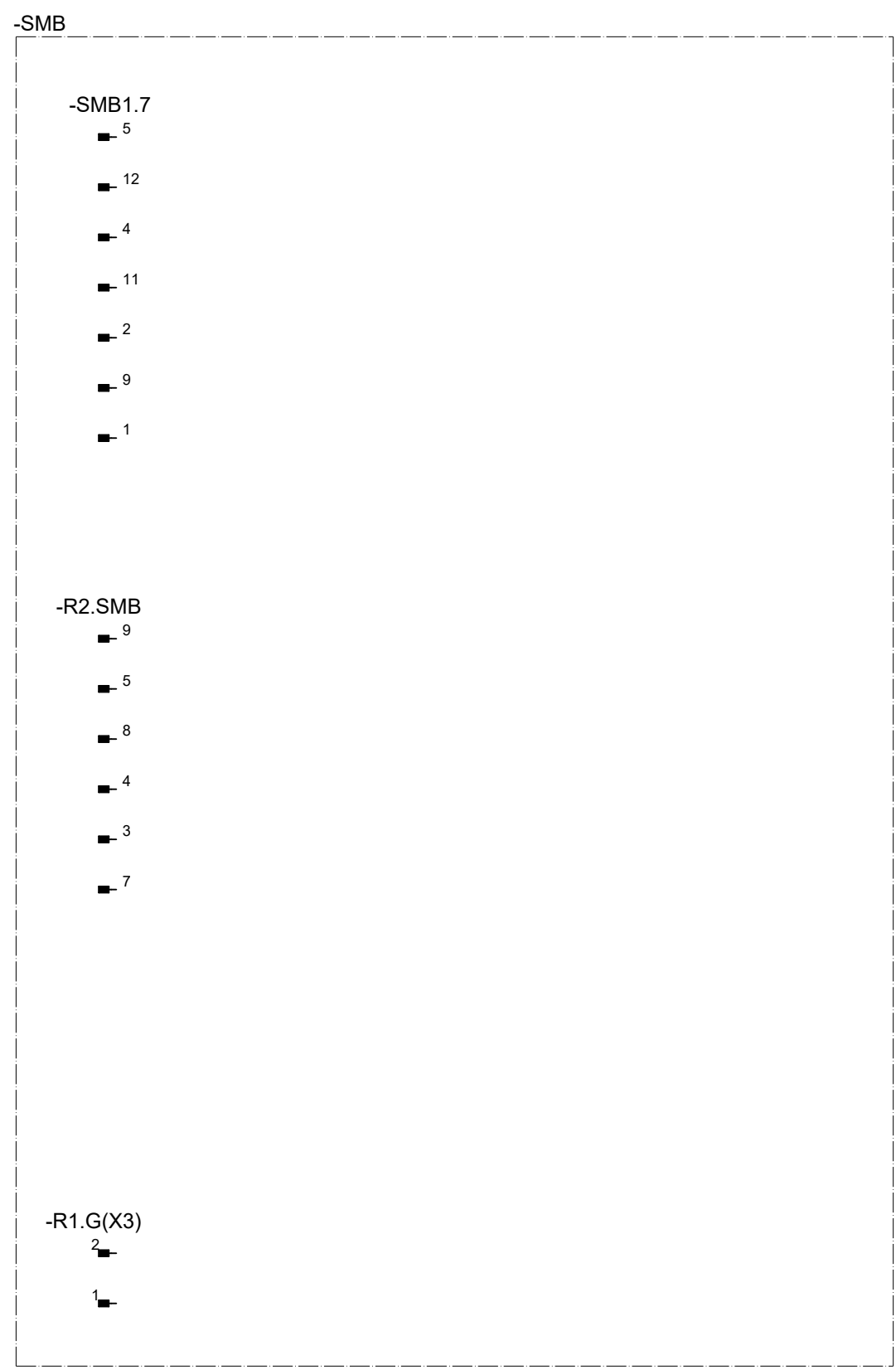
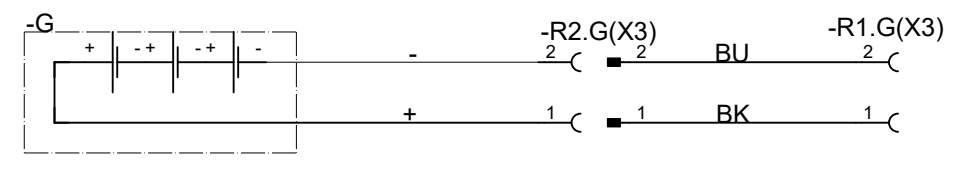
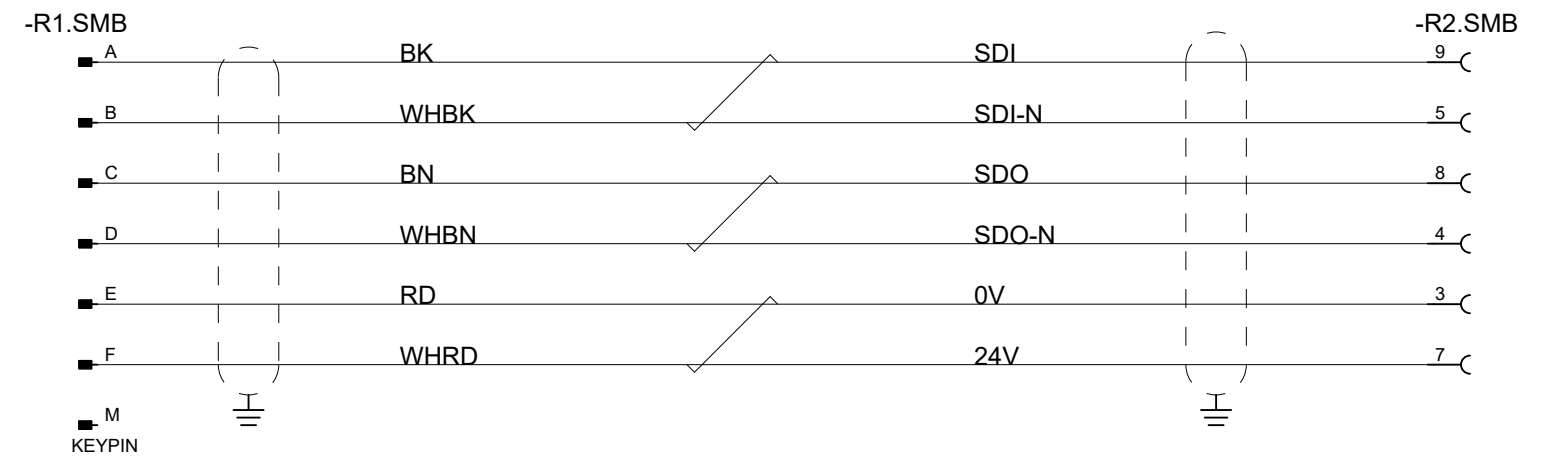
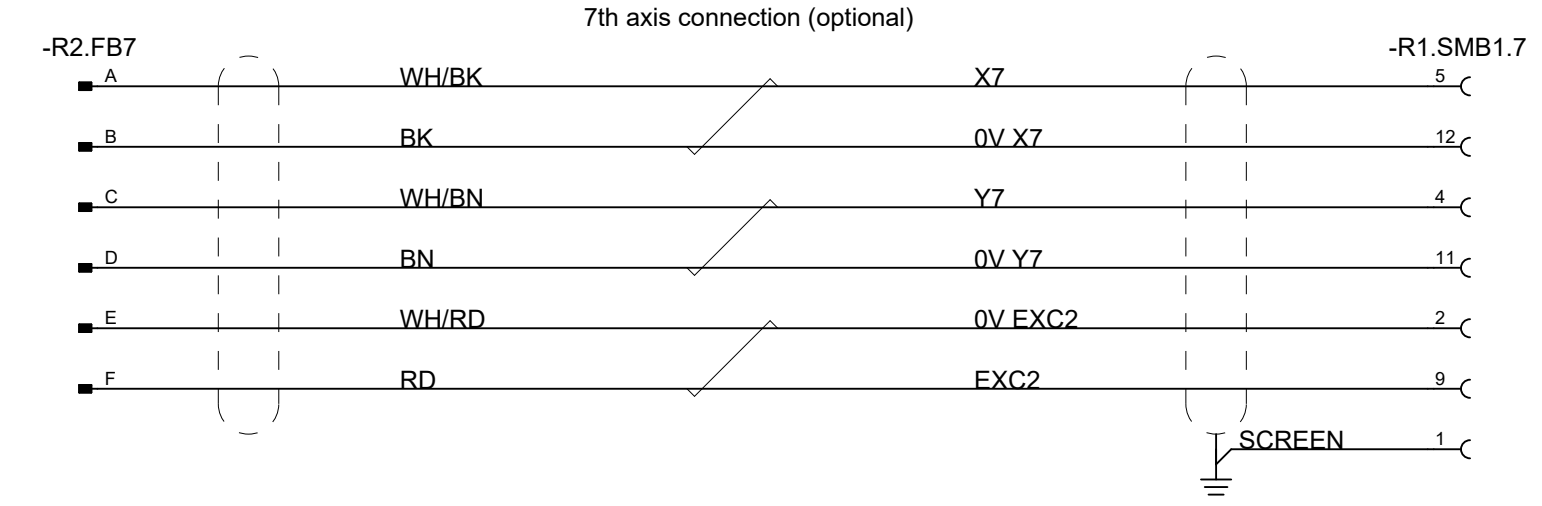
ABB

Lab/Office: RA/RDP IRB 7710/7720
Brake Release Unit

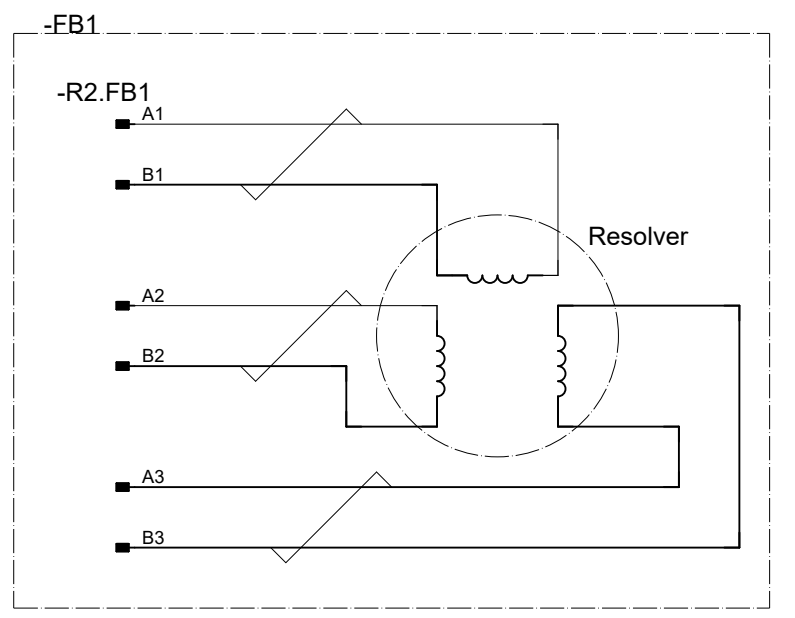
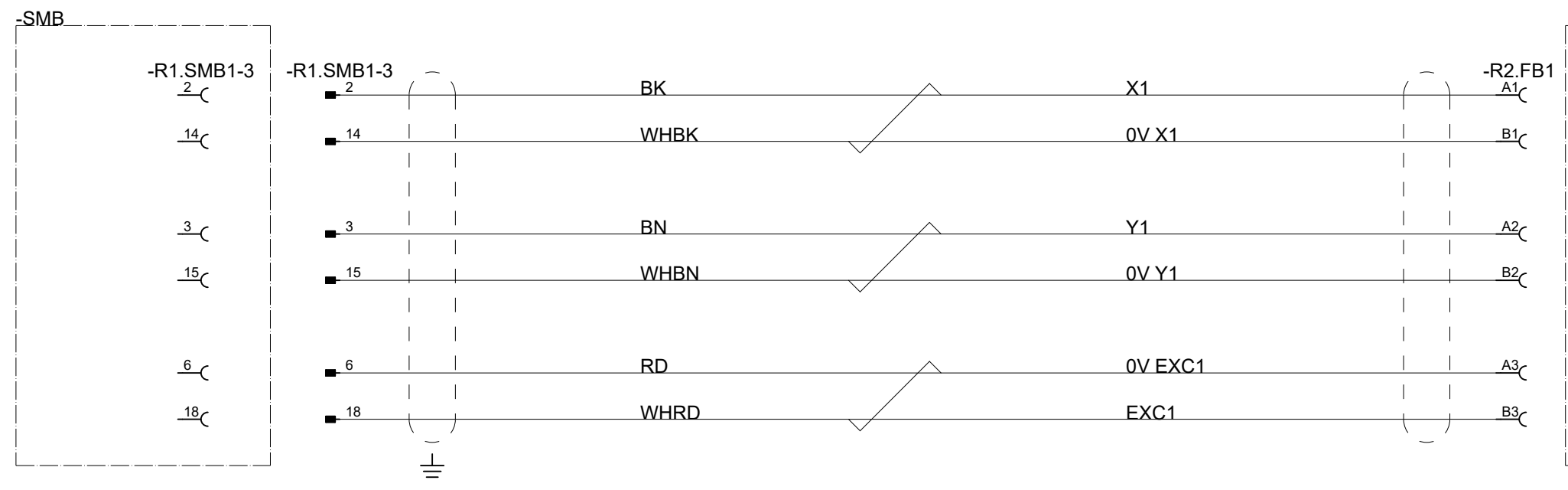
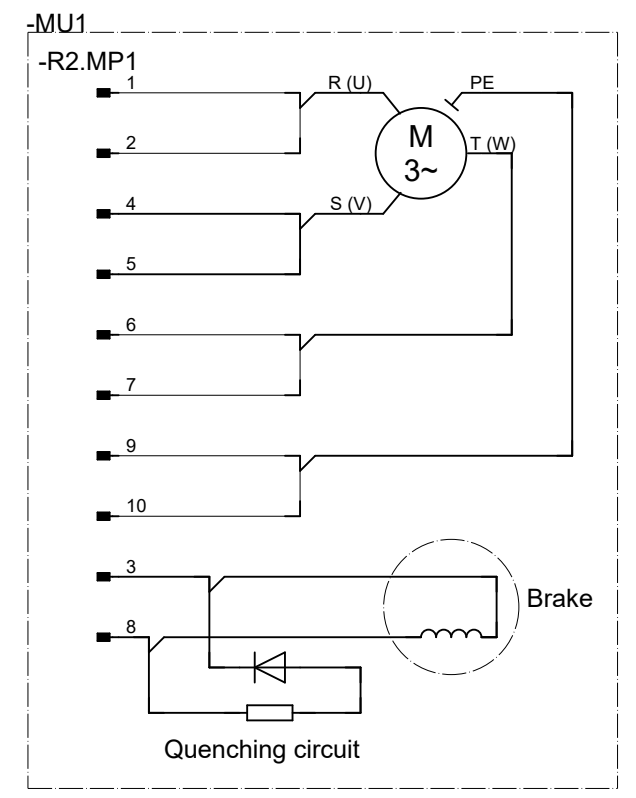
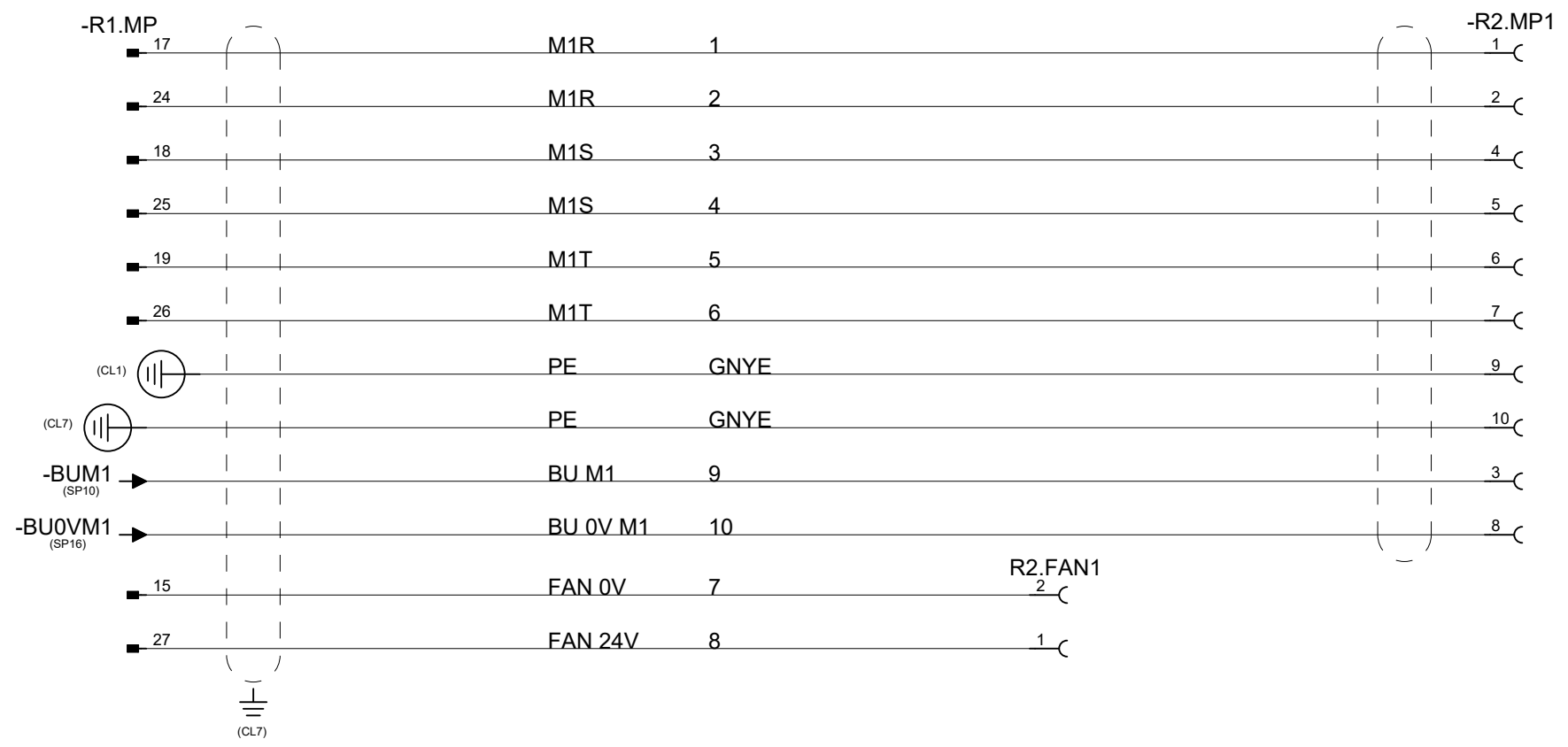
Status: Plant: = IRB77XX
Location: +
Sublocation: +

Document no. 3HAC089629-001 Rev. Ind 01 Page 10
Next 20
Total 13

We reserve all rights in this document and in the information contained therein. Reproduction, use or disclosure to third parties without express authority is strictly forbidden. © Copyright ABB



We reserve all rights in this document and in the information contained therein. Reproduction, use or disclosure to third parties without express authority is strictly forbidden. © Copyright ABB



Latest revision:
ECO 500000131855
Pages 30,40,50 Fan connection correction

Prepared by, date: J. Pokorná, 240605
Approved by, date: M. Lövmemark, 240605

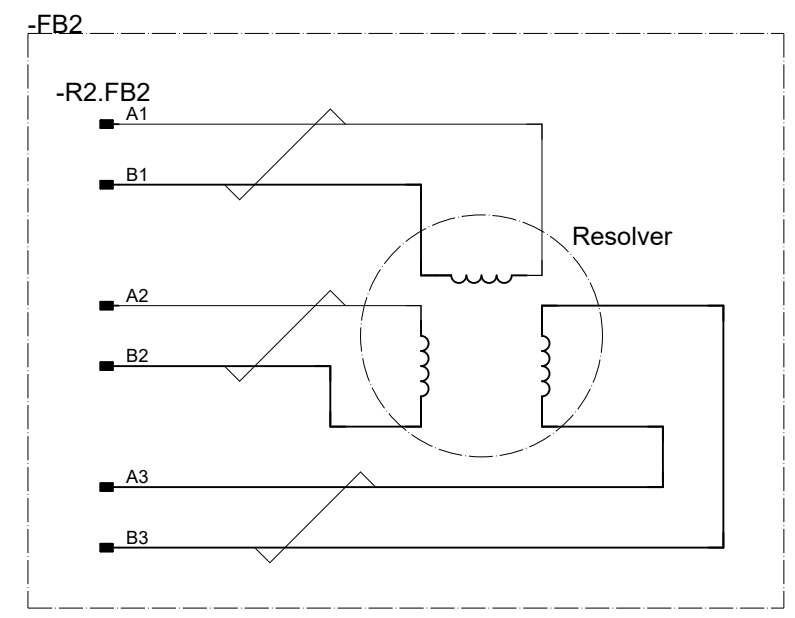
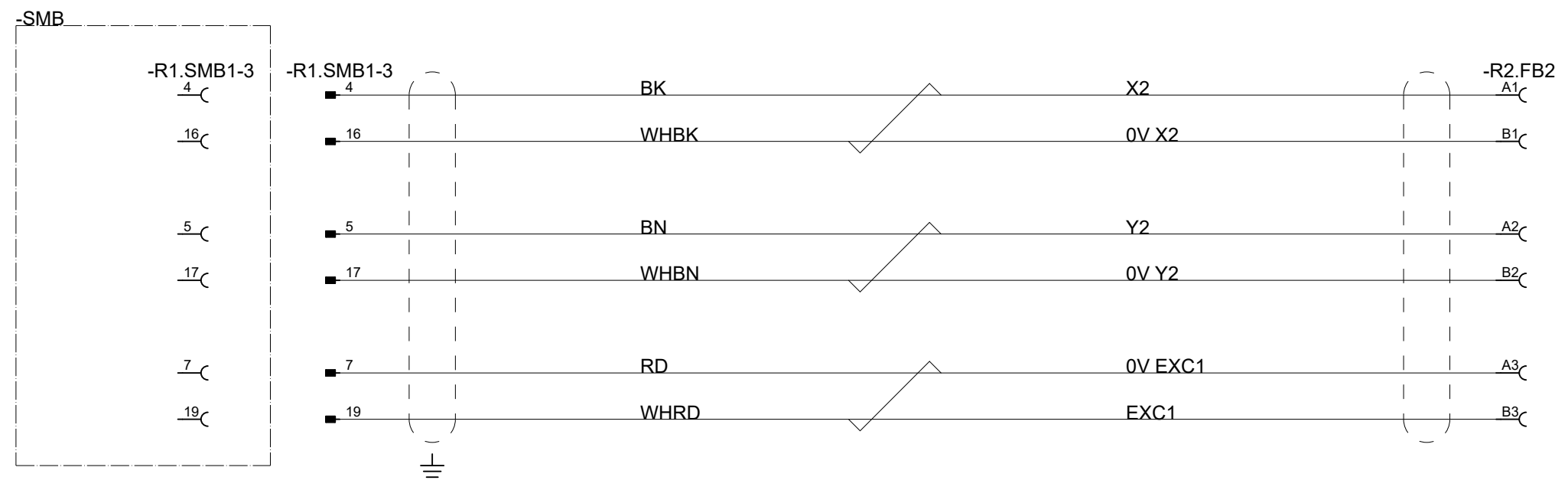
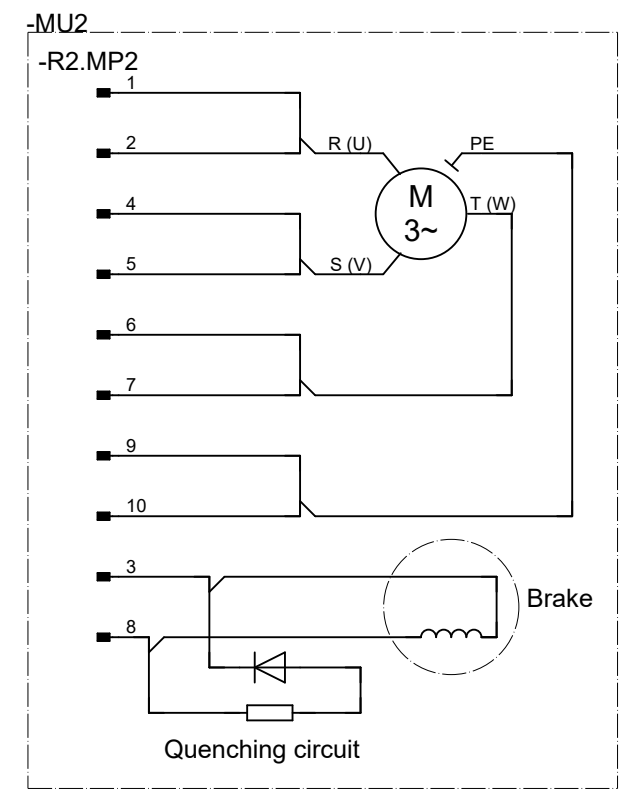
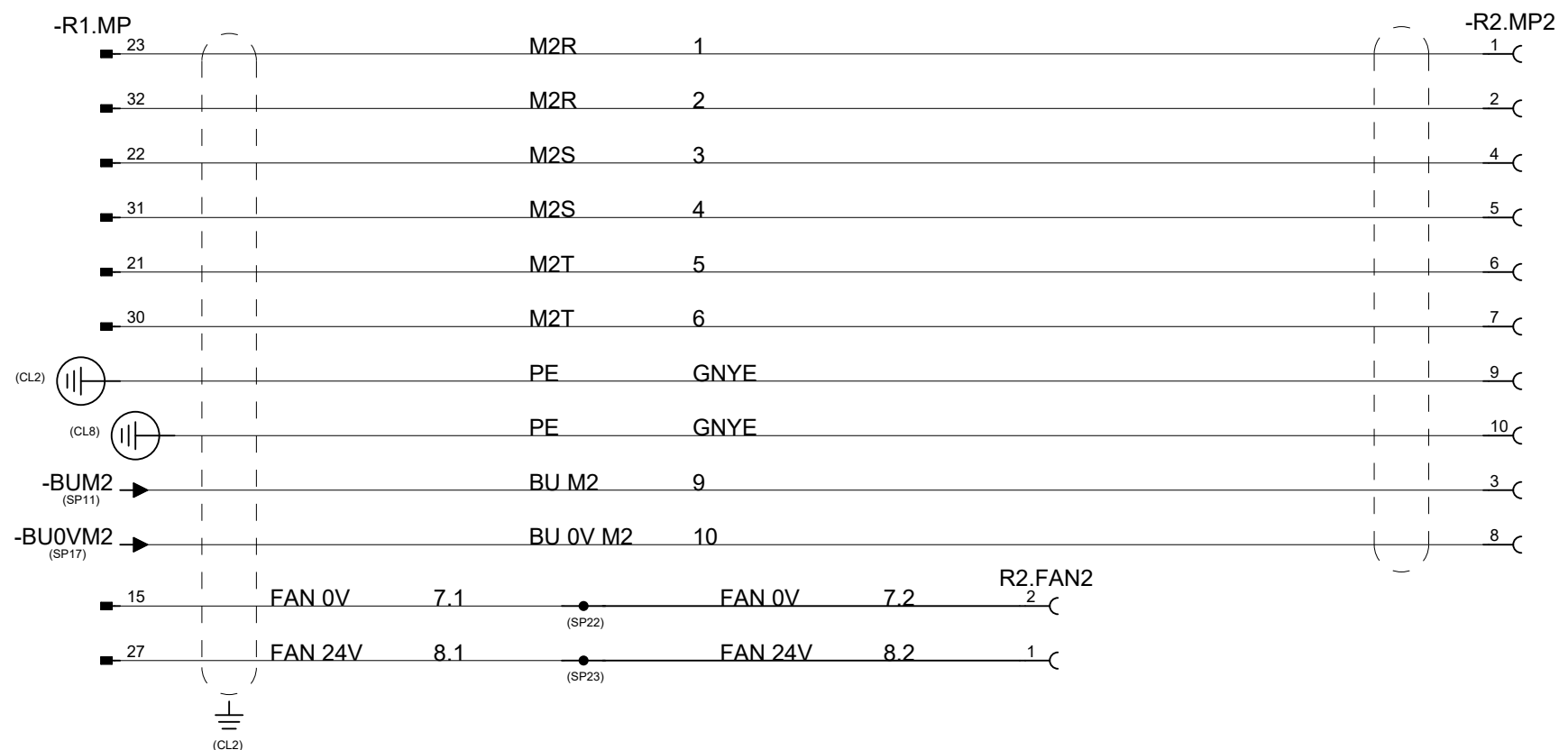


Lab/Office: RA/RDP
IRB 7710/7720
Axis 1

Status: Plant: = IRB77XX
Location: +
Sublocation: +

Document no. 3HAC089629-001
Rev. Ind 01
Page 30
Next 40
Total 13

We reserve all rights in this document and in the information contained therein. Reproduction, use or disclosure to third parties without express authority is strictly forbidden. © Copyright ABB



Latest revision:
ECO 500000131855
Pages 30,40,50 Fan connection correction

Prepared by, date: J. Pokorná, 240605

Approved by, date: M. Lövmemark, 240605



IRB 7710/7720
Axis 2

Status:

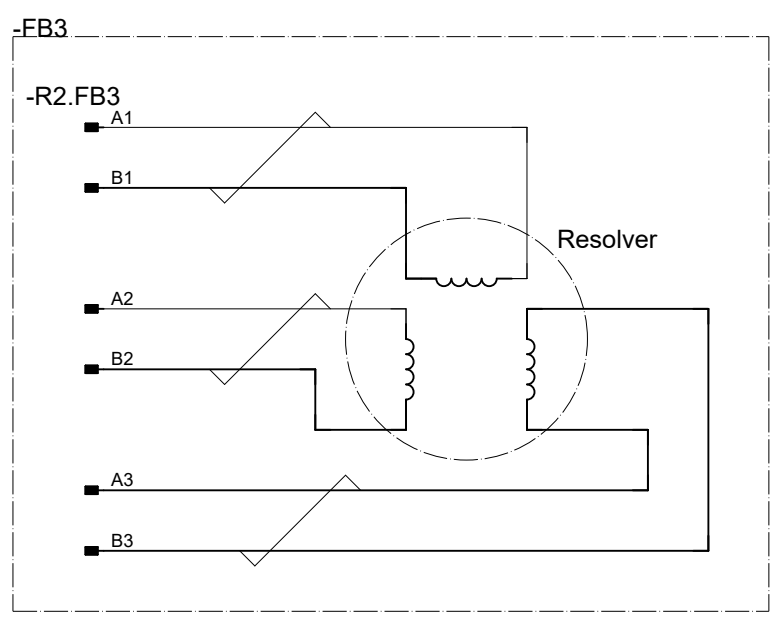
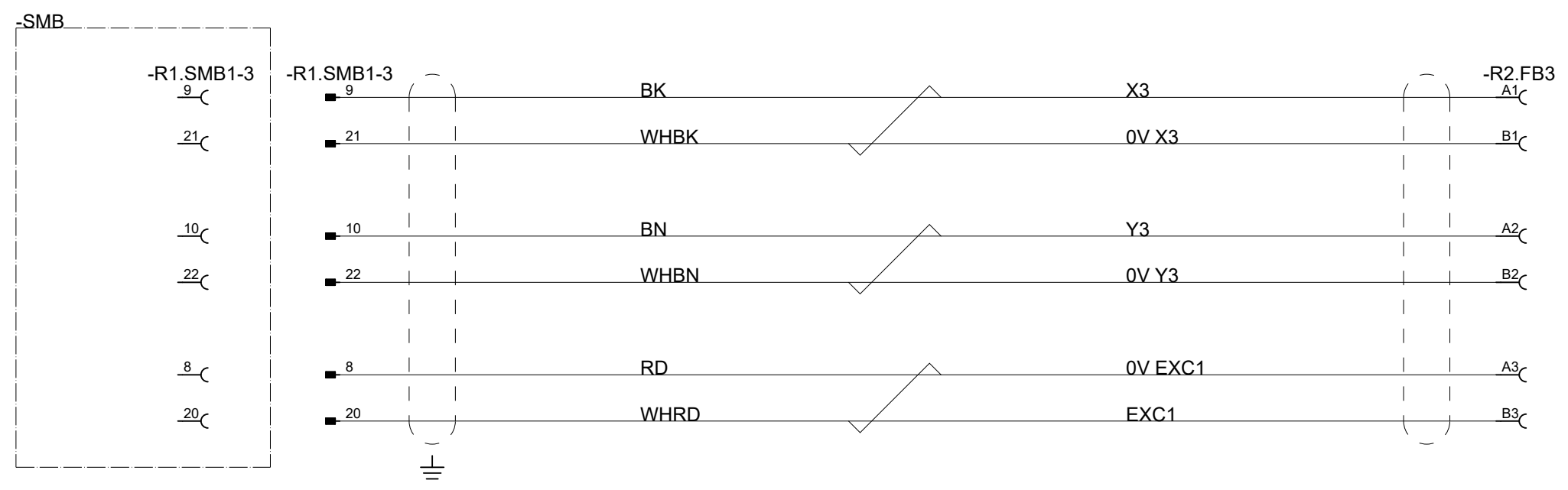
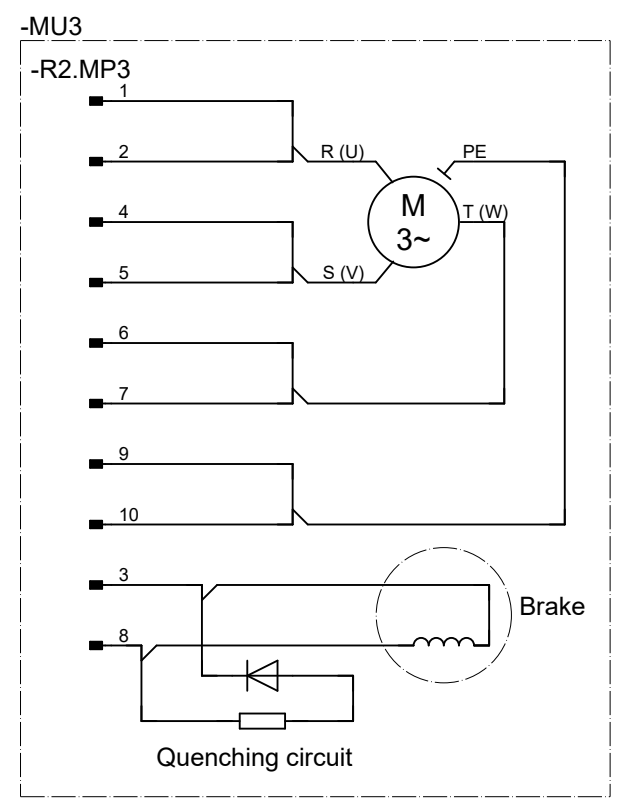
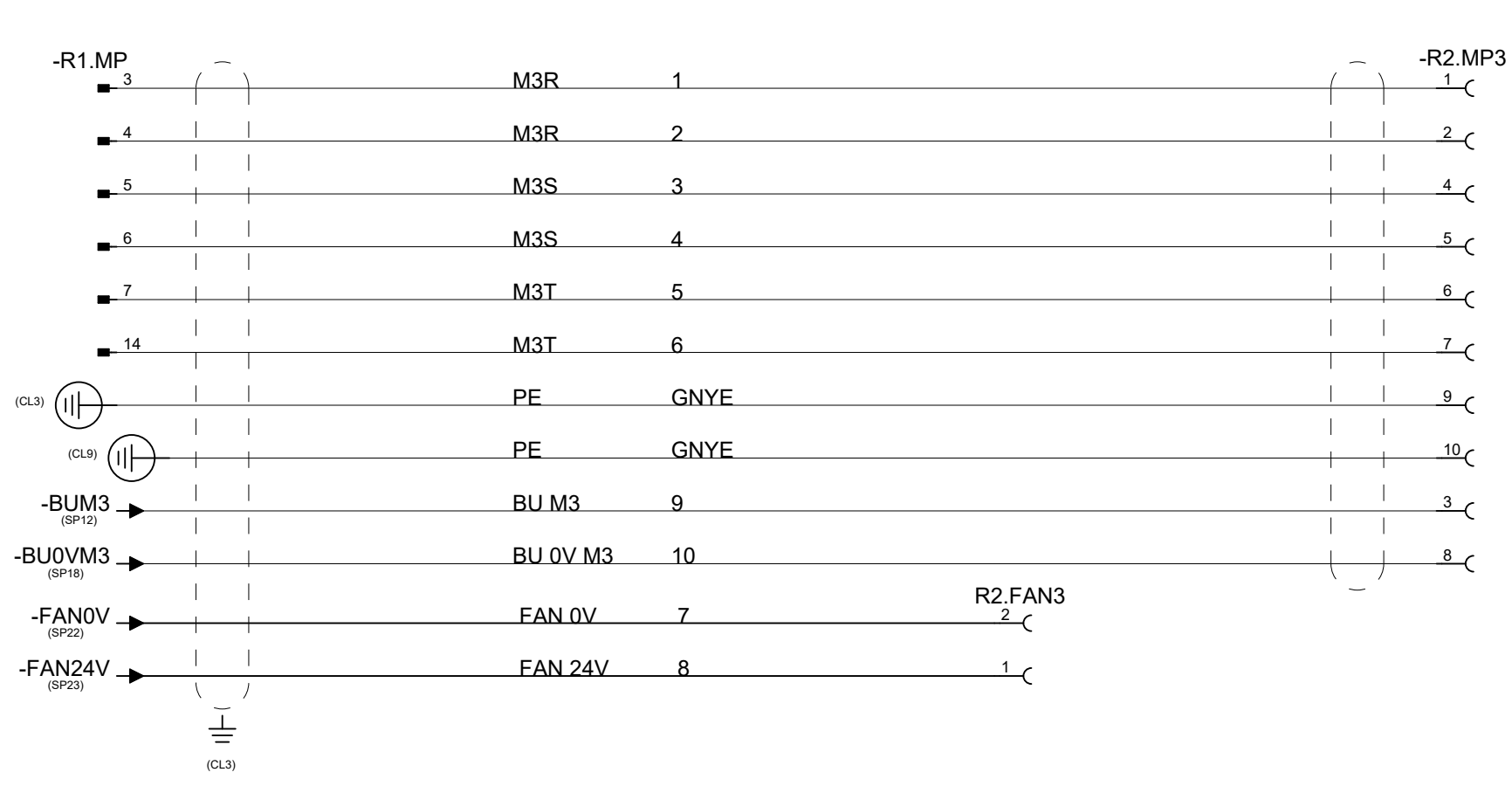
Plant: = IRB77XX
Location: +
Sublocation: +

Document no. 3HAC089629-001

Rev. Ind 01

Page 40
Next 50
Total 13

We reserve all rights in this document and in the information contained therein. Reproduction, use or disclosure to third parties without express authority is strictly forbidden. © Copyright ABB



Latest revision:
ECO 500000131855
Pages 30,40,50 Fan connection correction

Prepared by, date: J. Pokorná, 240605
Approved by, date: M. Lövmemark, 240605



Lab/Office:
RA/RDP

IRB 7710/7720
Axis 3

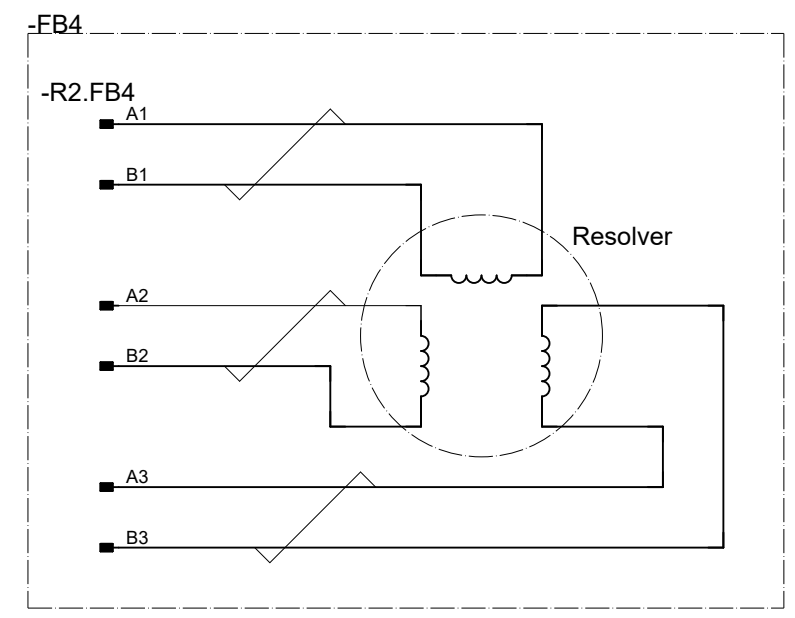
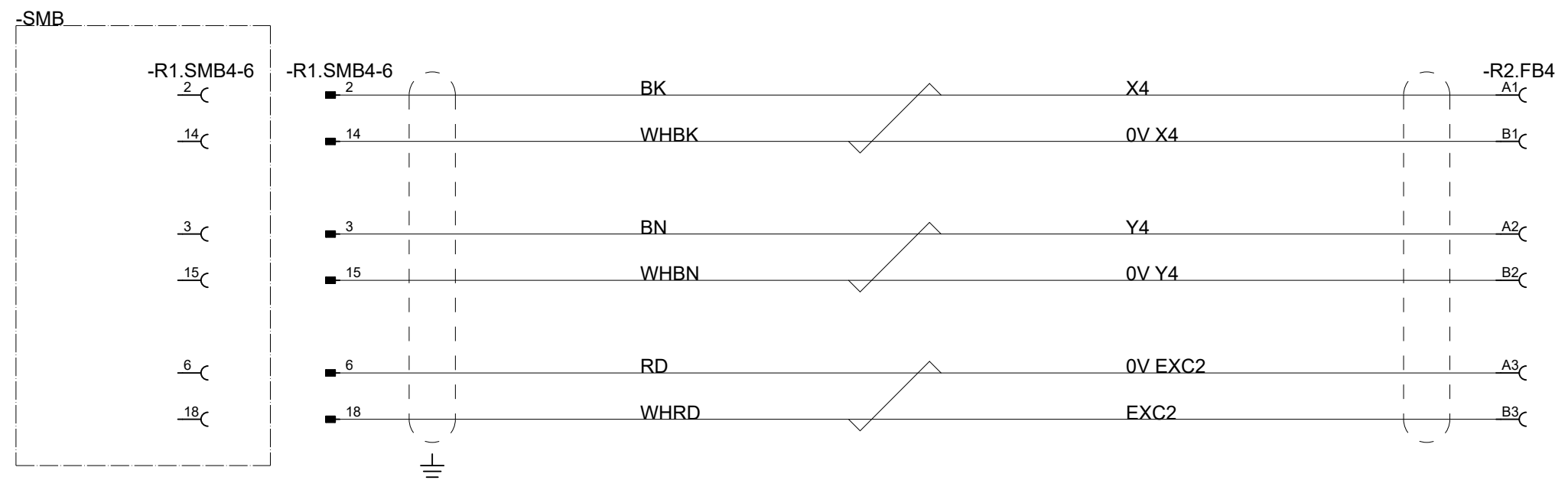
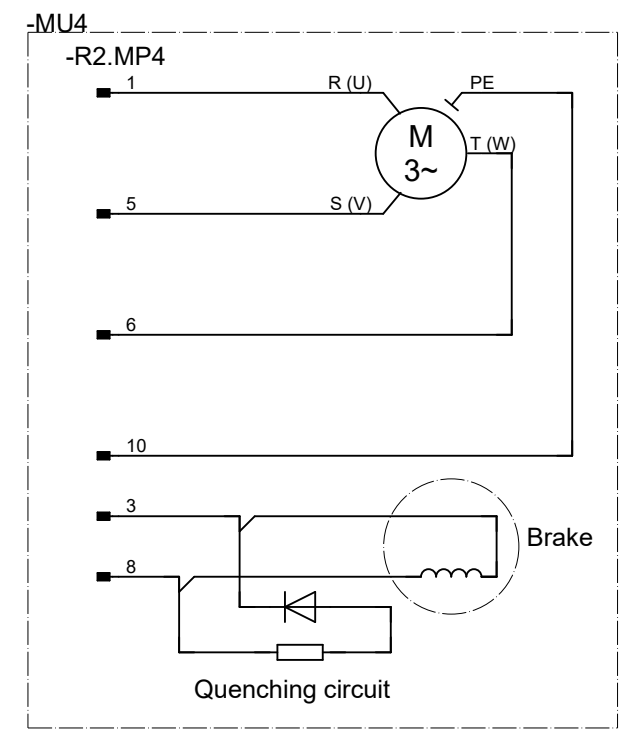
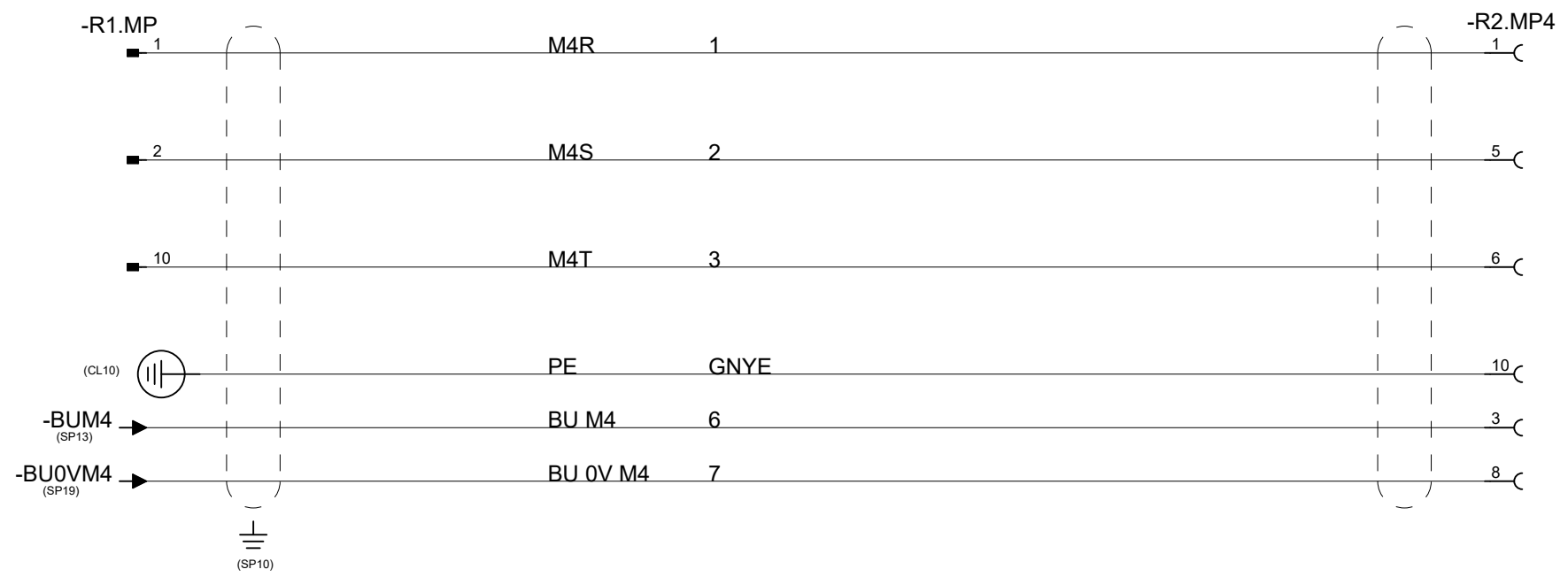
Status:

Document no.
3HAC089629-001

Plant: = IRB77XX
Location: +
Sublocation: +

Rev. Ind	Page
01	50
	Next
	60
	Total
	13

We reserve all rights in this document and in the information contained therein. Reproduction, use or disclosure to third parties without express authority is strictly forbidden. © Copyright ABB



Latest revision:
ECO 500000131855
Pages 30,40,50 Fan connection correction

Prepared by, date: J. Pokorná, 240605
Approved by, date: M. Lövmemark, 240605



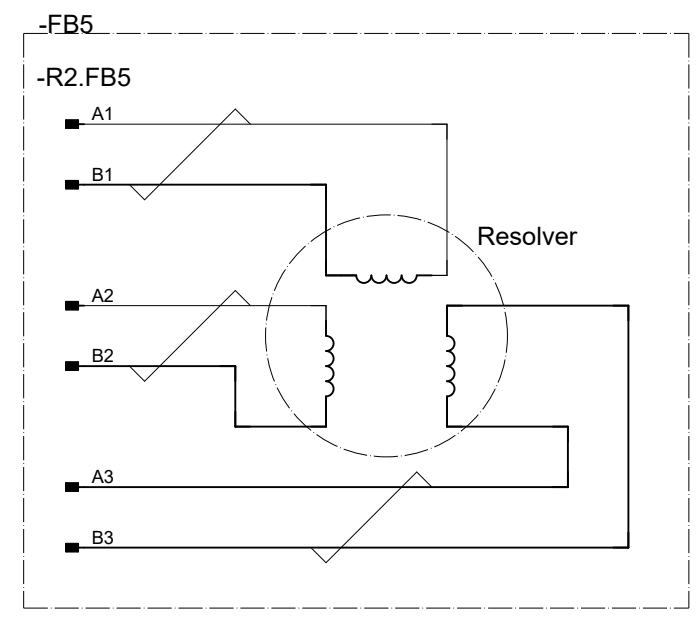
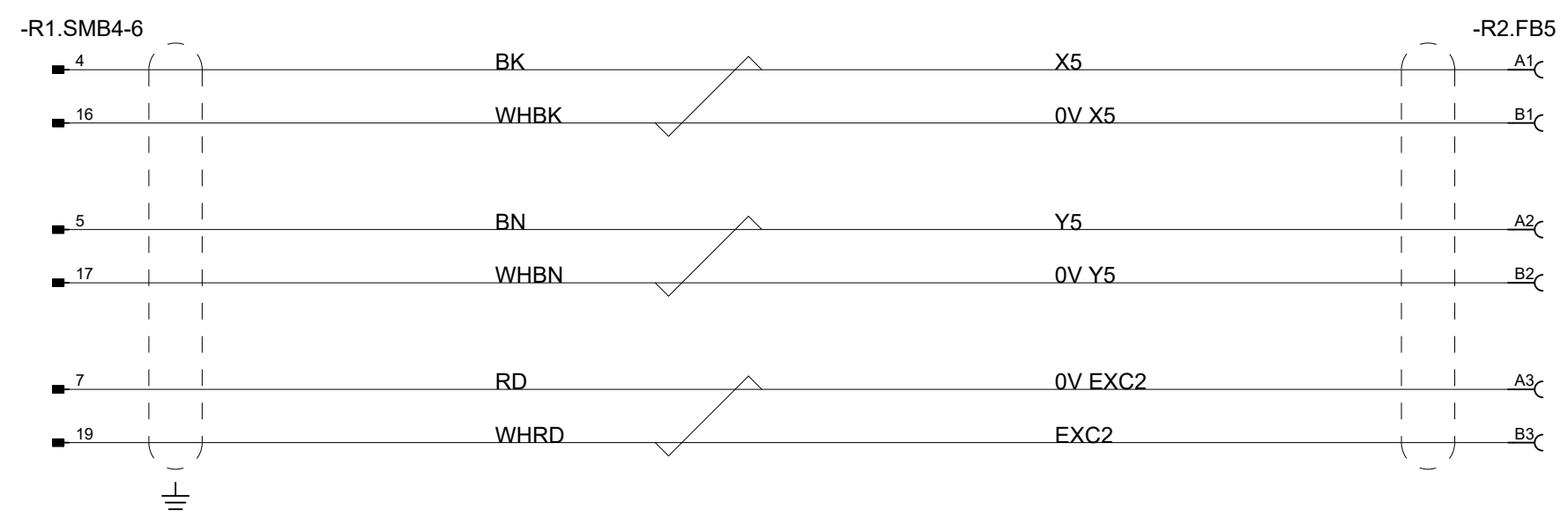
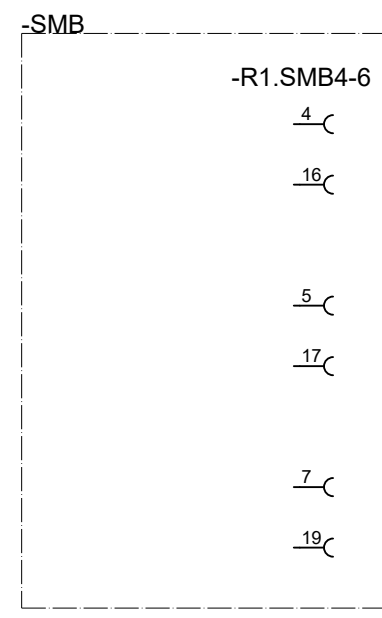
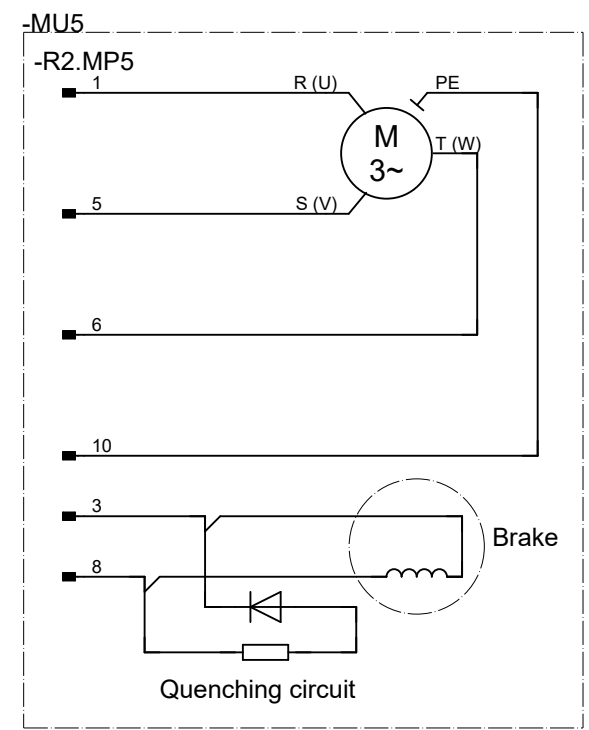
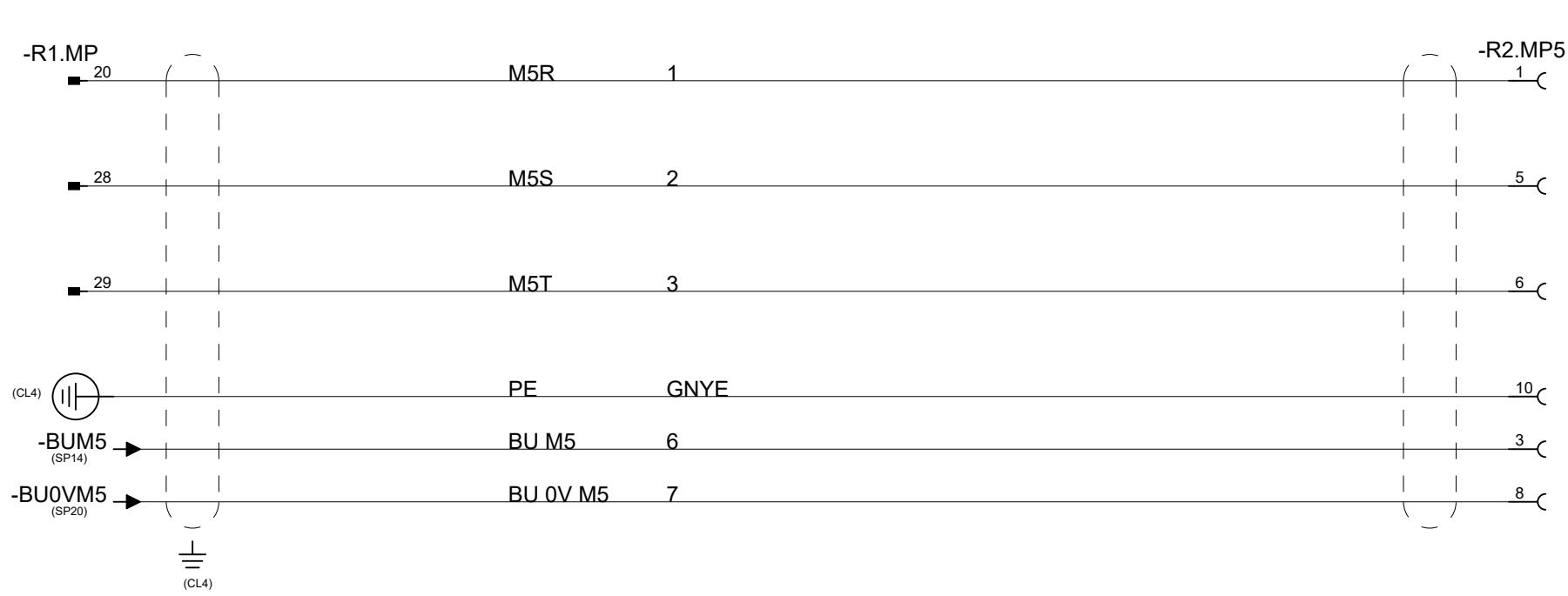
Lab/Office:
RA/RDP

IRB 7710/7720
Axis 4

Status: Plant: = IRB77XX
Location: +
Sublocation: +

Document no. 3HAC089629-001
Rev. Ind 01
Page 60
Next 70
Total 13

We reserve all rights in this document and in the information contained therein. Reproduction, use or disclosure to third parties without express authority is strictly forbidden. © Copyright ABB



Latest revision:
ECO 500000131855
Pages 30,40,50 Fan connection correction

Prepared by, date: J. Pokorná, 240605
Approved by, date: M. Lövmemark, 240605

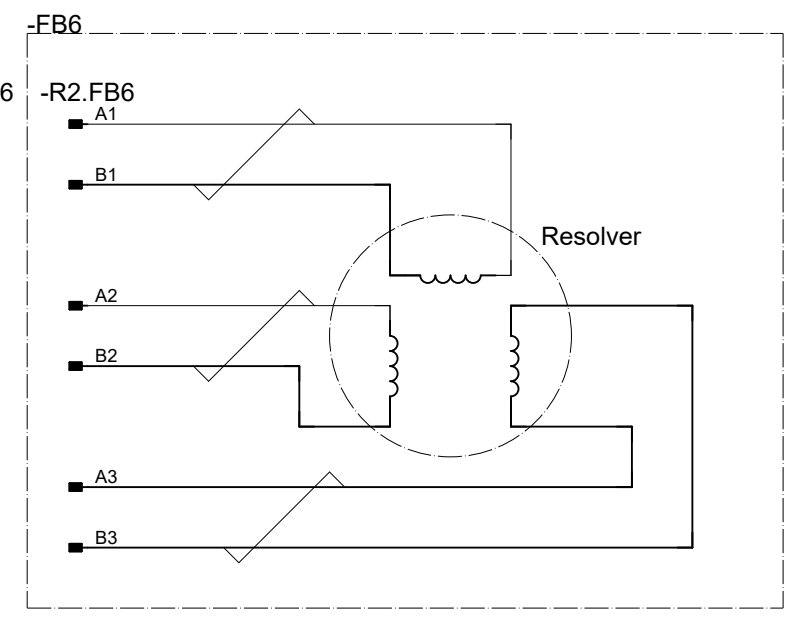
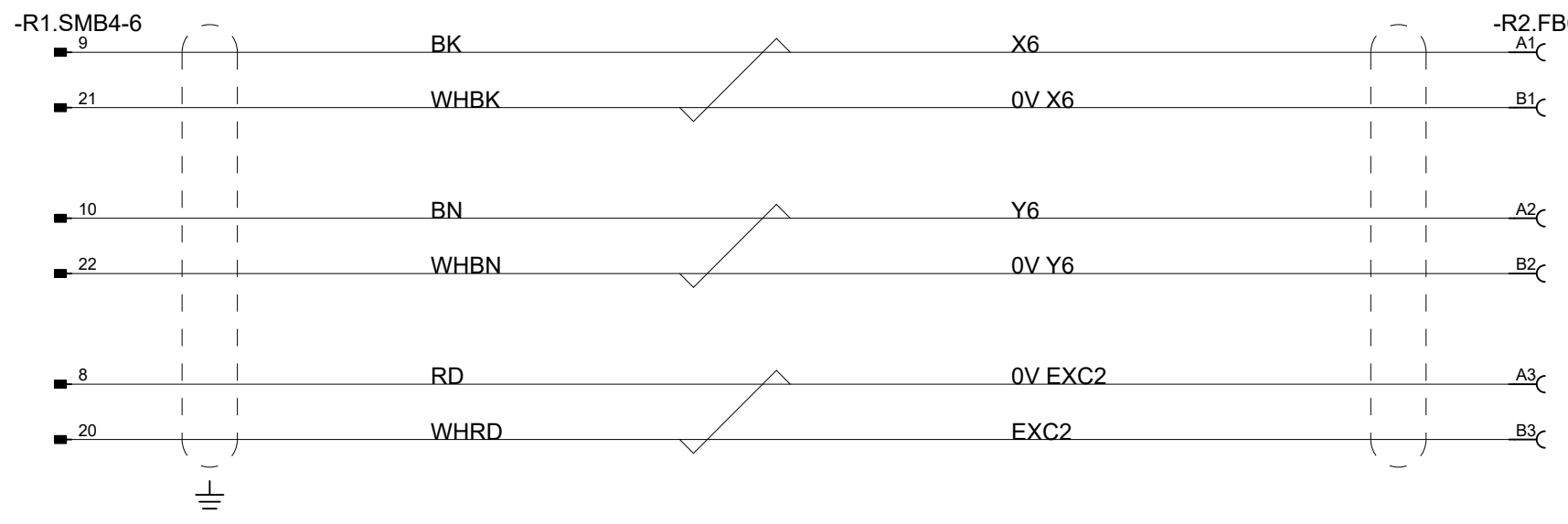
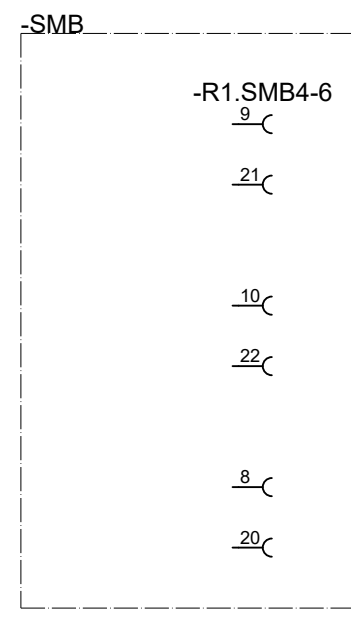
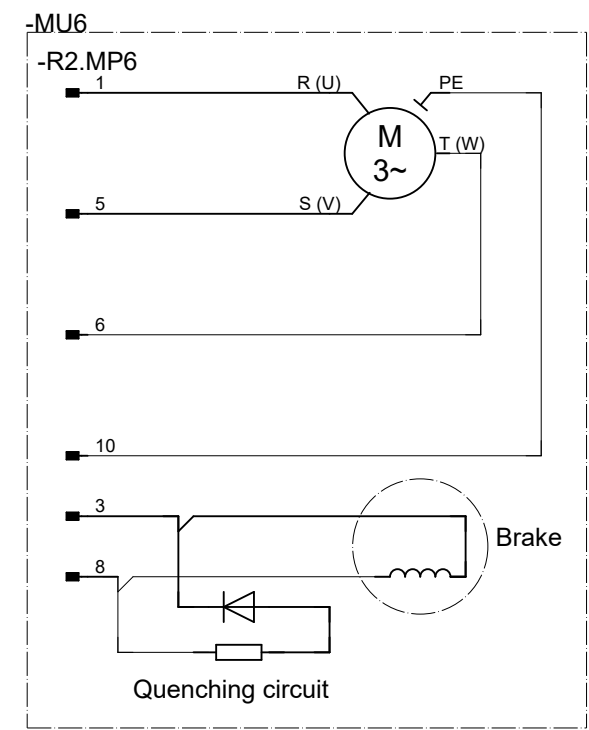
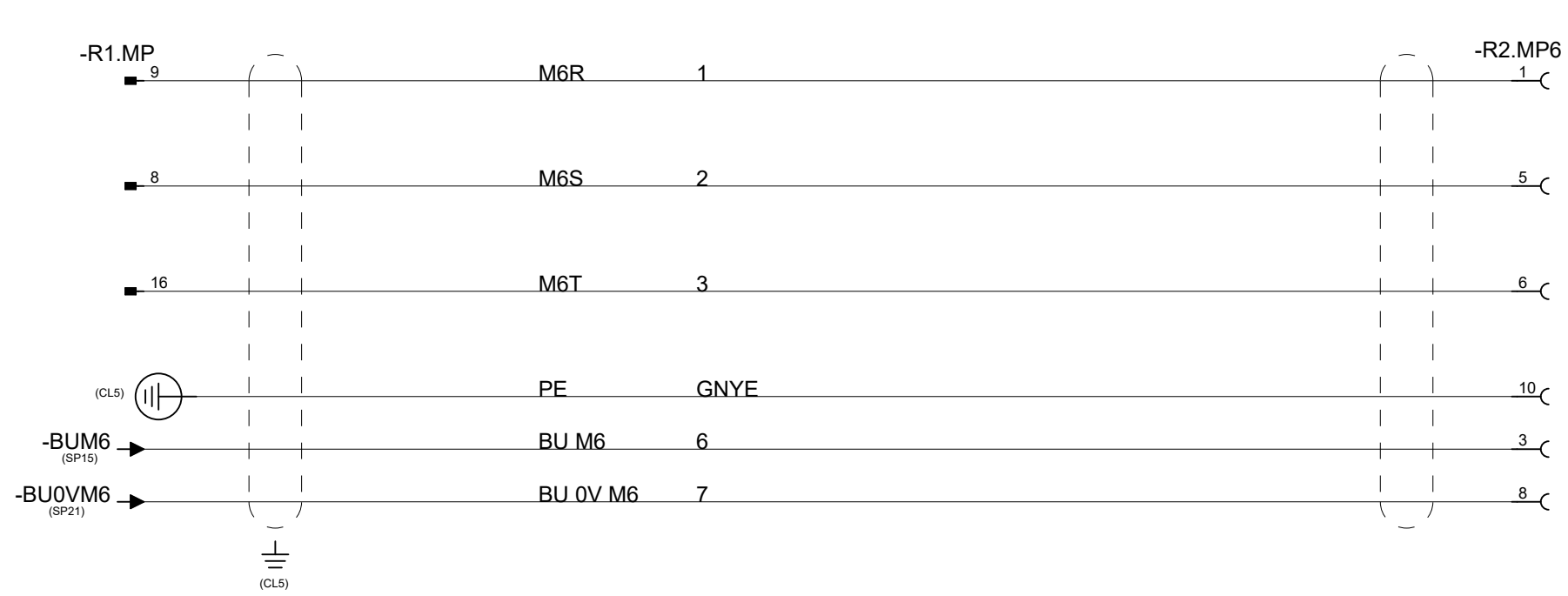
ABB Lab/Office:
RA/RDP

IRB 7710/7720
Axis 5

Status: Plant: = IRB77XX
Location: +
Sublocation: +

Document no. 3HAC089629-001 Rev. Ind 01
Page 70
Next 80
Total 13

We reserve all rights in this document and in the information contained therein. Reproduction, use or disclosure to third parties without express authority is strictly forbidden. © Copyright ABB



Latest revision:
ECO 500000131855
Pages 30,40,50 Fan connection correction

Prepared by, date: J. Pokorná, 240605

Approved by, date: M. Lövmemark, 240605



Lab/Office:
RA/RDP

IRB 7710/7720
Axis 6

Status: Plant: = IRB77XX
Location: +
Sublocation: +

Document no. 3HAC089629-001

Rev. Ind	Page 80
01	Next
	Total 13